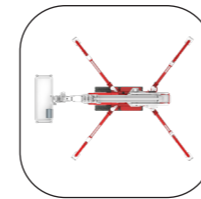


STANDARD EQUIPMENT

- Available power options: Bi-energy (Honda Petrol+AC), Eco (AC+Battery), Hybrid/Dual Power (Honda Petrol+AC+Battery)
- Hydraulic steering and transmission on rubber tracks with hydraulically variable external width
- Hydraulic set-up with 4 independent outriggers, of the fixed type
- Turntable rotation at 360°
- CANBUS electronics
- Steel made telescopic boom
- Hydraulic and electric lines inside the boom
- Aluminium cage 140x70x110 cm, with automatic self-levelling and hydraulic rotator 90° + 90°, equipped with support of fast disassembling for narrow passages
- "Area manager" limiting device for safe working load 230 kg
- Load sensor on the cage
- Electro-hydraulic cable control for cage/ground
- 230 V AC electric plug on the cage
- Air \ water supplementary line
- Standard colors: chassis grey RAL 7016, stabilizers red RAL 3000, turret and boom white RAL 9003
- CE Mark homologation certificates, manuals, stickers and spares book in English language



RETURN TO HOME
The "return to home" function allows to automatically return to the transport position by pressing a button on the controls.



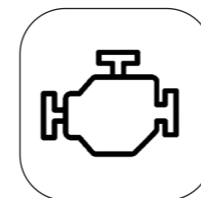
AUTOMATIC LEVELLING SYSTEM
Allows the leveling of the chassis automatically even on important slopes, allowing spider placement on roads and irregular grounds, or stairs.



NON-MARKING TRACKS
White rubber, ideal to operate indoor and/ or on delicate floors.



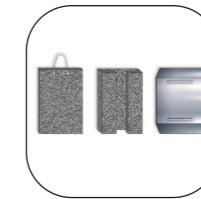
PEDAL ON THE CAGE
Safety pedal to operate the movements from the cage.



KUBOTA DIESEL ENGINE
It offers reliable performance, fuel efficiency, and durability, ideal for demanding outdoor applications.



LIFTING HOOK IN PLACE OF THE BASKET
Transform a Spider aerial platform into a mobile crane with a lifting capacity of 230-250 kg.



PADS FOR OUTRIGGERS
Different type of pads to distribute the load of the stabilizers on the ground and have greater stability of the machine.



CUSTOMIZED COLOURS
Possibility to customize the colours of the tracked lift with different RAL according to the client's corporate livery.




RADIO CONTROL
Circuit of radio-wave driven controls with a mini display, for ground operation even at a great distance.

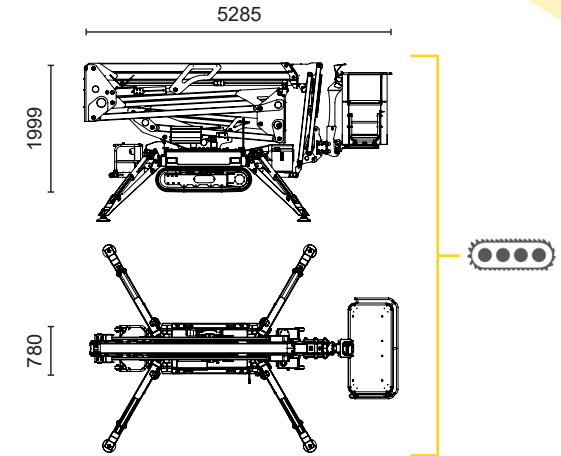
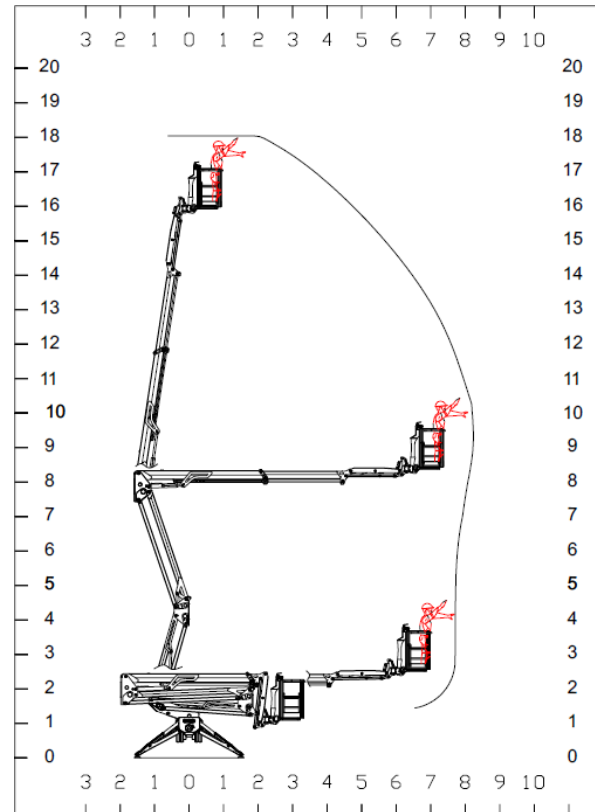
PRELIMINARY



BI-ENERGY

 Petrol engine

 Single-phase Electric motor



TZJ 180/C		18 m	8,2 m	230 kg	+/- 180°	140x70 cm	0° / 90°	3 m	27%	26%	2 km/h	2500 kg	25 N/cm ²	2,4 kN/m ²	3,15 kN/m ²
-----------	---	------	-------	--------	----------	-----------	----------	-----	-----	-----	--------	---------	----------------------	-----------------------	------------------------

Available power options:

ECO (AC+BATTERY)

HYBRID (PETROL+AC+BATTERY)

The technical data may deviate +/- 3% from the specified values.

Characteristics and technical data are informative only and subjected to change without notice.

PRELIMINARY

Palazzani Industrie S.p.A.

Via del Pavione, 4 - 25050 - Paderno F.C. (BS) - Italy

Tel. (+39) 0306857073


info@palazzani.it


www.palazzani.it

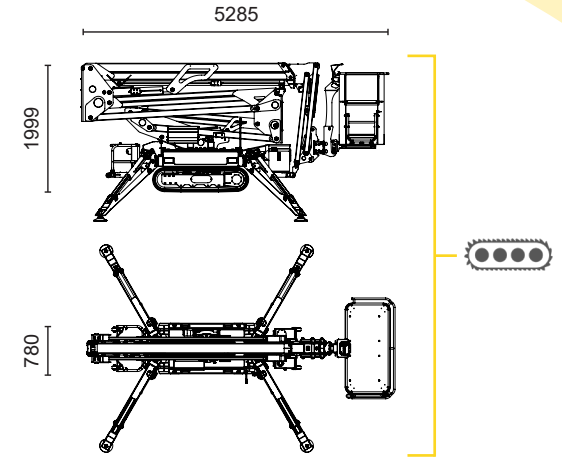
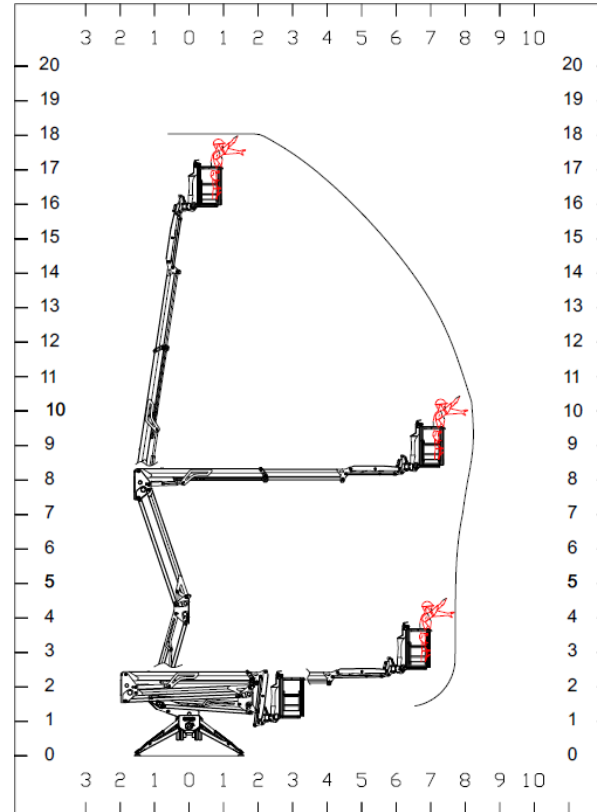









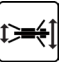










ECO

 Inverter actuated
Electric motor

 Lithium iron
phosphate battery
LiFePO4



															
TZJ 180/C		18 m	8,2 m	230 kg	+/- 180°	140x70 cm	0° / 90°	3 m	27%	26%	2 km/h	2550 kg	25,5 N/cm ²	2,45 kN/m ²	3,21 kN/m ²

Available power options:

 **BI-ENERGY** (PETROL+AC)

 **HYBRID** (PETROL+AC+BATTERY)

The technical data may deviate +/- 3% from the specified values.

Characteristics and technical data are informative only and subjected to change without notice.

PRELIMINARY

Palazzani Industrie S.p.A.

Via del Pavione, 4 - 25050 - Paderno F.C. (BS) - Italy

Tel. (+39) 0306857073


info@palazzani.it


www.palazzani.it




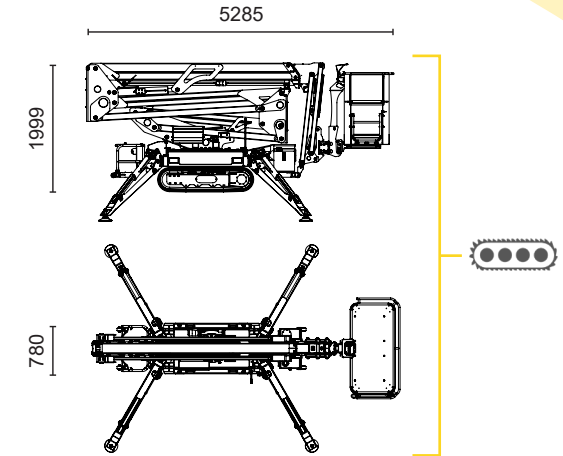
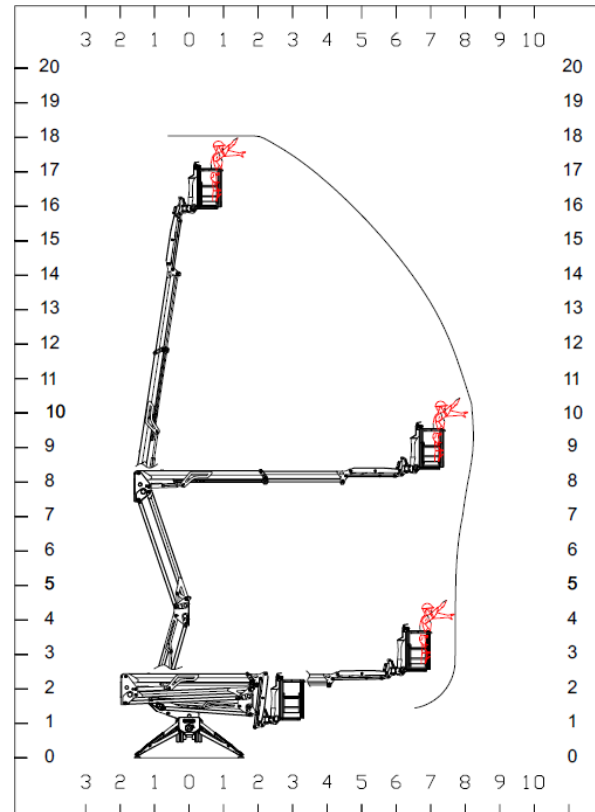



HYBRID

 Petrol engine

 Inverter actuated
Electric motor

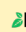
 Lithium iron
phosphate battery
LiFePO4



TZJ 180/C  18 m 8,2 m 230 kg +/- 180° 140x70 cm 0° / 90° 3 m 27% 26% 2 km/h 2650 kg 26,5 N/cm2 2,55 kN/m2 3,34 kN/m2

Available power options:

 **BI-ENERGY** PETROL+AC)

 **ECO** (AC+BATTERY)

The technical data may deviate +/- 3% from the specified values.

Characteristics and technical data are informative only and subjected to change without notice.

PRELIMINARY

Palazzani Industrie S.p.A.

Via del Pavione, 4 - 25050 - Paderno F.C. (BS) - Italy

Tel. (+39) 0306857073

info@palazzani.it

www.palazzani.it

